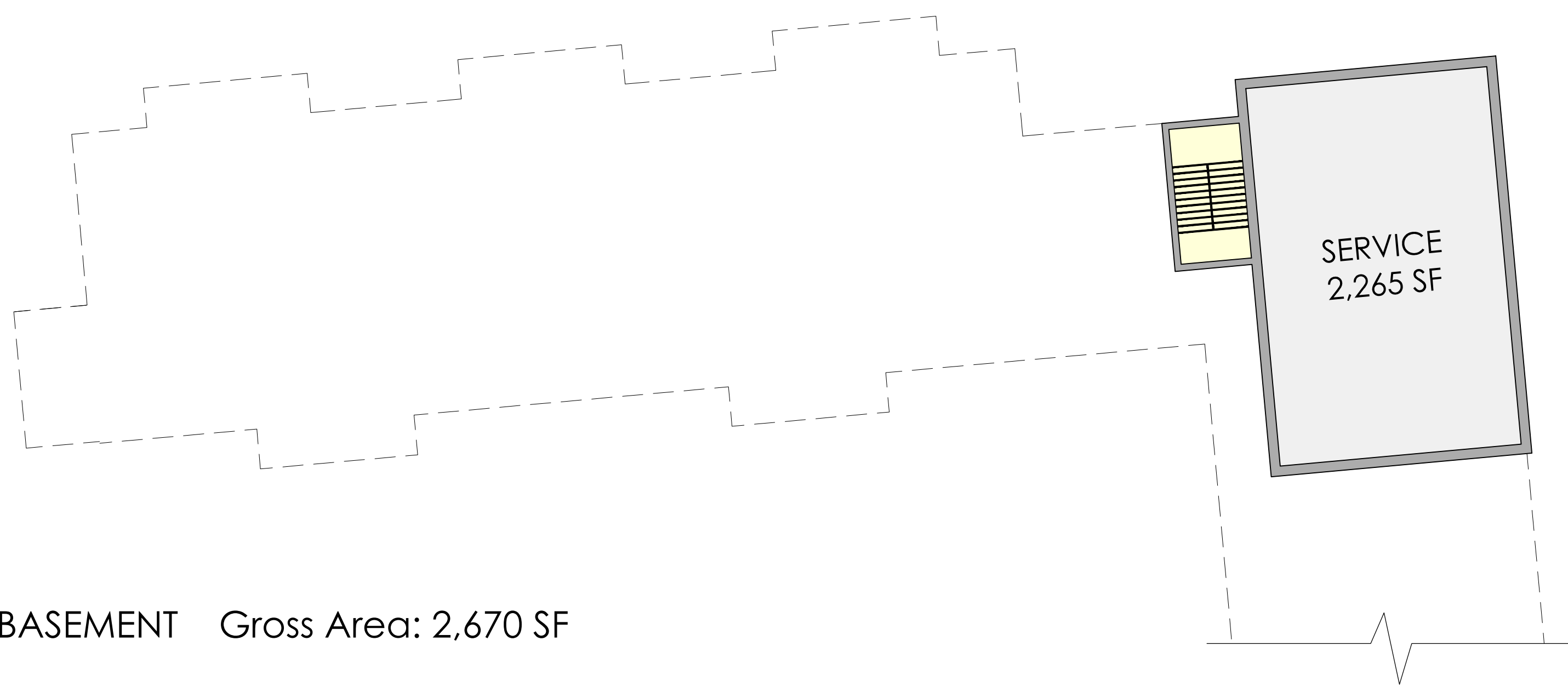




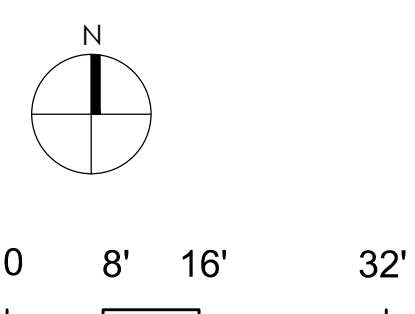
FIRST FLOOR Gross Area: 21,810 SF



BASEMENT Gross Area: 2,670 SF

LEGEND

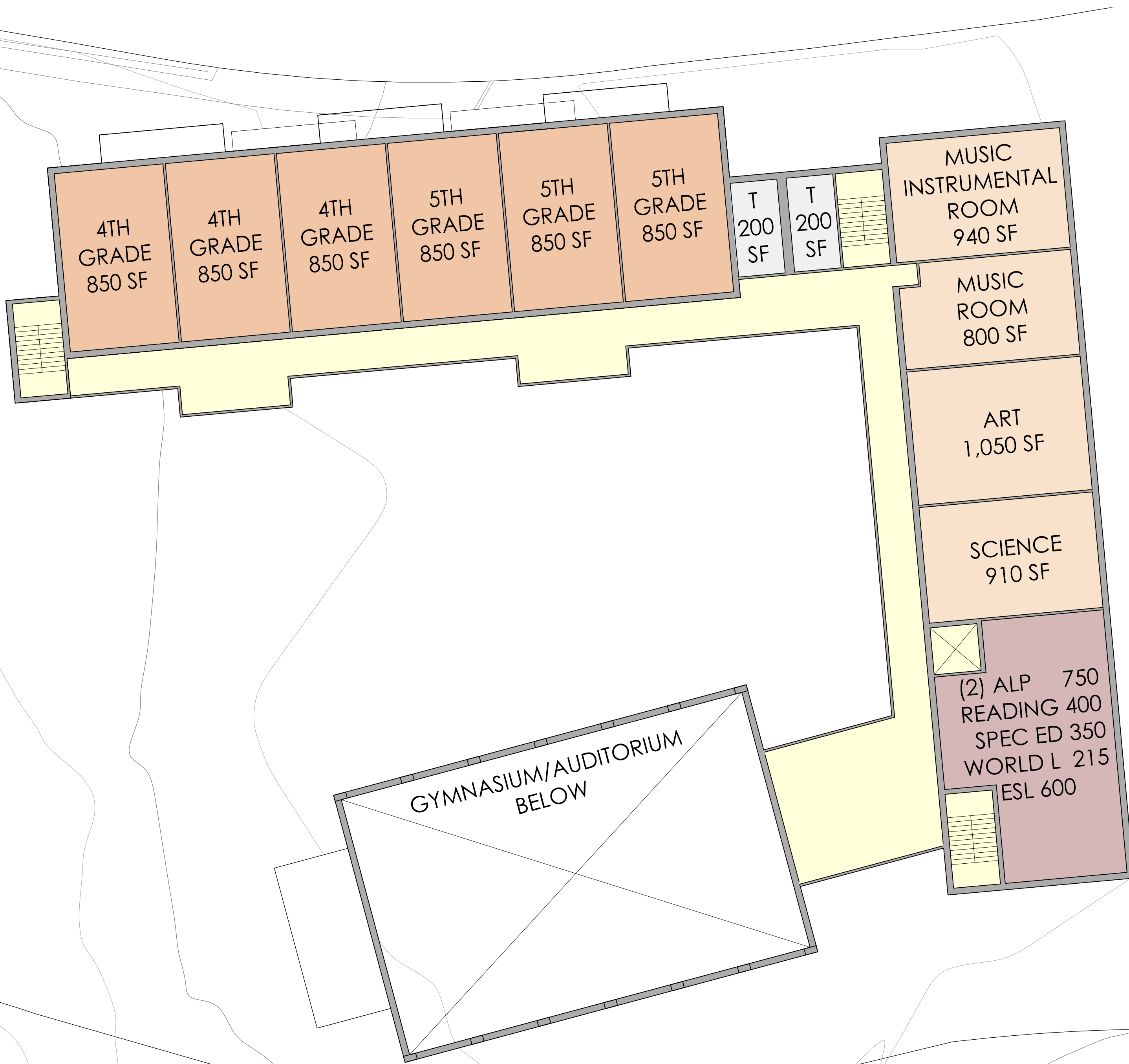
- INSTRUCTIONAL
- SPECIAL INSTRUCTIONAL
- SPECIAL EDUCATION
- ADMINISTRATION
- COMMON AREAS
- SERVICE
- CIRCULATION



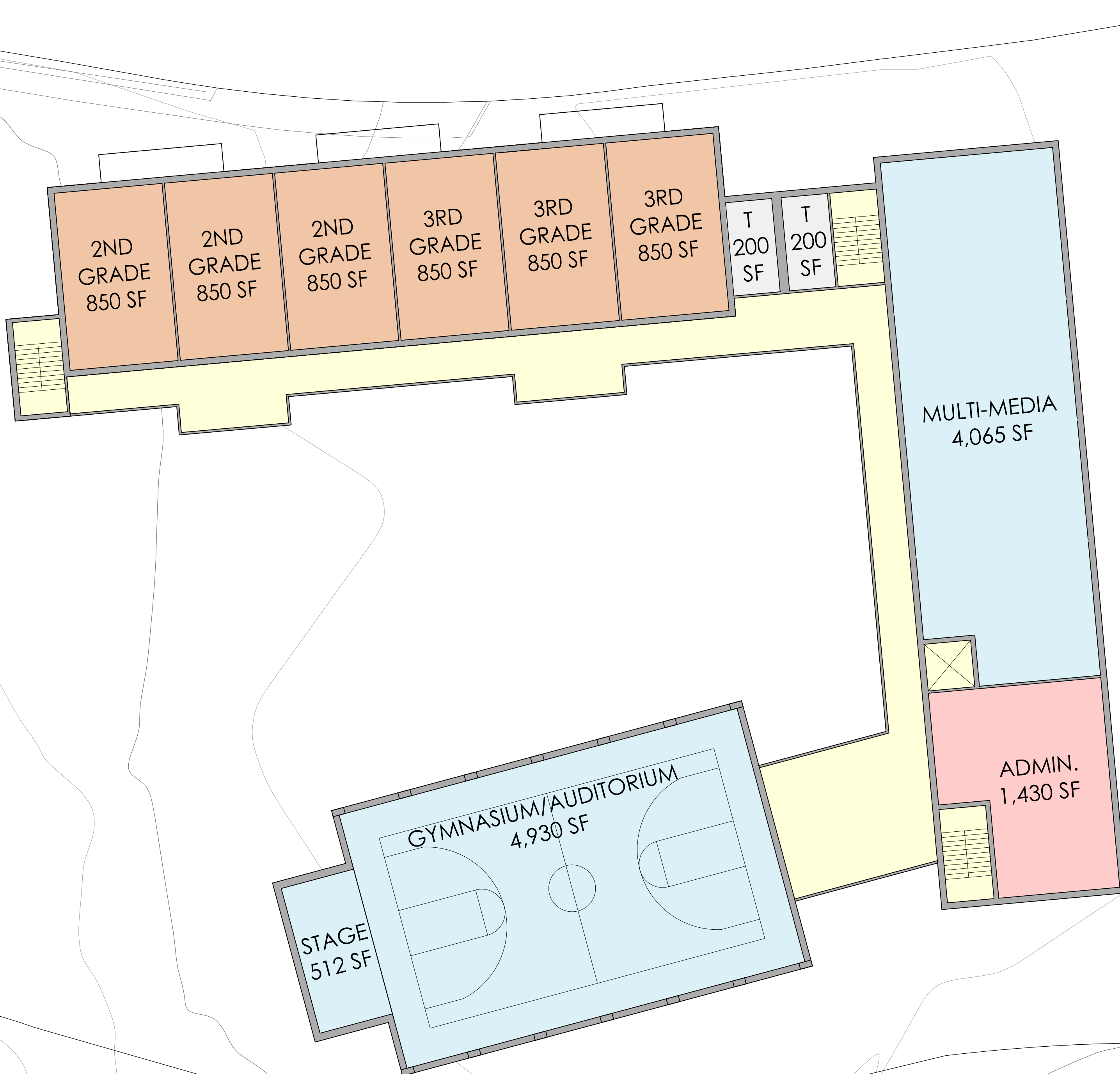
SCHEME B
Total Gross Area: 62,150 SF

NEW LEBANON SCHOOL
OCTOBER 9, 2014

PETER GISOLFI ASSOCIATES
Architects • Landscape Architects, LLP



THIRD FLOOR Gross Area: 15,650 SF



SECOND FLOOR Gross Area: 22,020 SF

- LEGEND**
- INSTRUCTIONAL
 - SPECIAL INSTRUCTIONAL
 - SPECIAL EDUCATION
 - ADMINISTRATION
 - COMMON AREAS
 - SERVICE
 - CIRCULATION

SCHEME B

Total Gross Area: 62,150 SF

NEW LEBANON SCHOOL

OCTOBER 9, 2014

PETER GISOLFI ASSOCIATES
Architects • Landscape Architects, LLP

